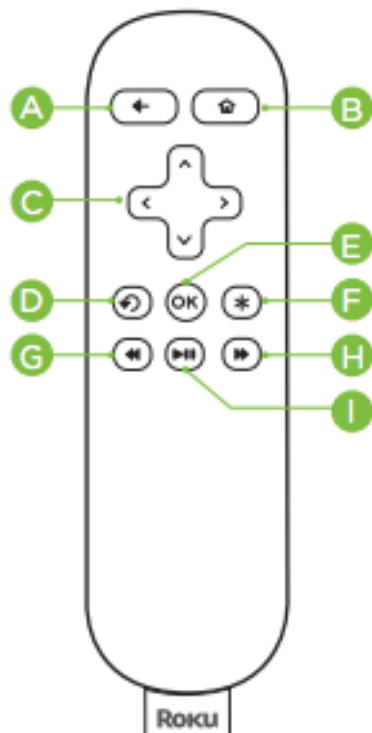


ROKU Instructions

- 1) Turn on TV
- 2) No Signal? The Roku has been turned off, please push the power/home button on the Roku remote.
- 3) Be sure the input source on TV is set on correct HDMI (1 or 2) once the TV is on the correct HDMI the Roku Screen will appear.
- 4) Use the arrows on the Roku remote to scroll to the “Spectrum” app and push ok. This will opt the regular cable TV.
- 5) Please feel free to login to Netflix, amazon, or any other apps that are available just be sure to log out before checking out of the unit.

Know your Roku® remote



- A** [BACK] Return to previous screen
- B** [HOME] Return to Roku home screen
- C** [UP] or [DOWN]
Move up or down
[LEFT] or [RIGHT]
Move left or right
- D** [INSTANT REPLAY] Replay last 7 seconds of video
- E** [OK] Select an option from a menu
- F** [OPTIONS] View more options
- G** [REV SCAN] Rewind, scroll left one page at a time
- H** [FWD SCAN] Fast forward, scroll right one page at a time
- I** [PLAY/PAUSE] Start or pause playback